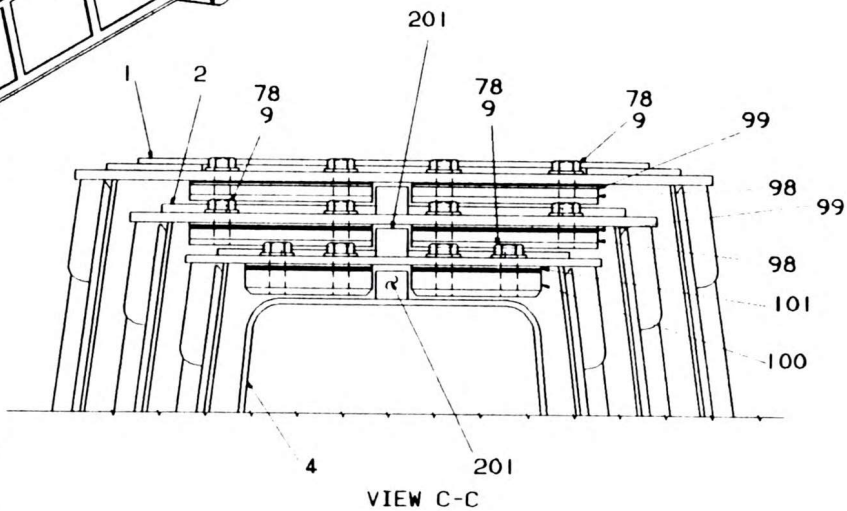
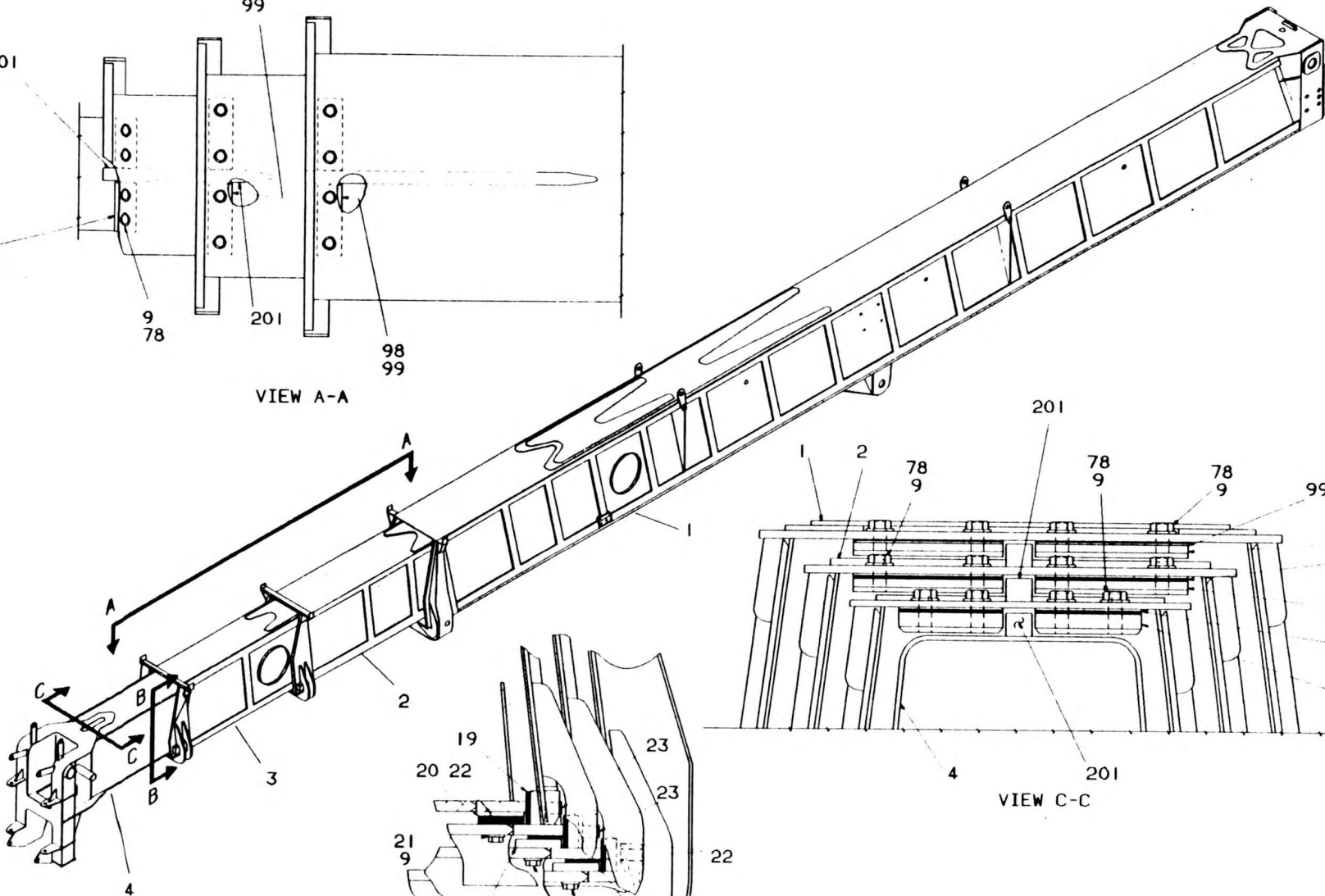
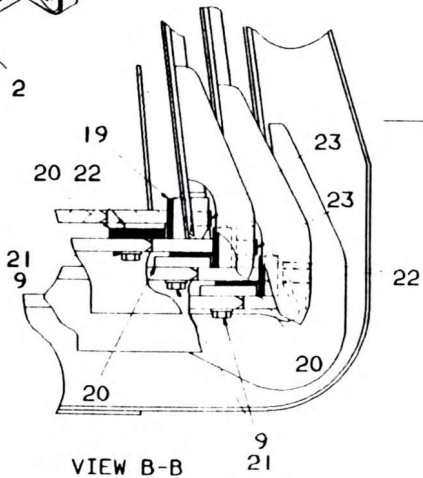


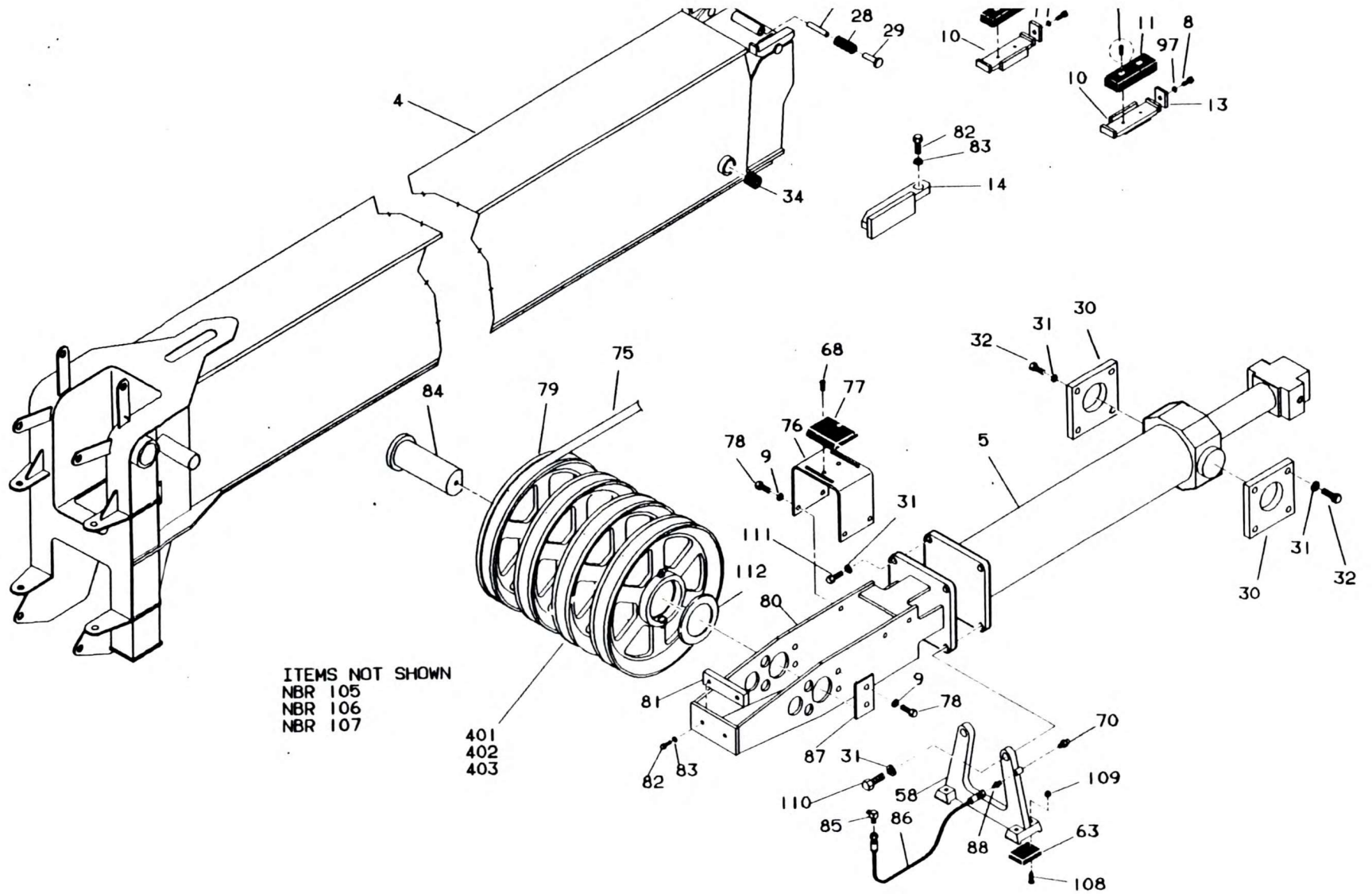
VIEW A-A

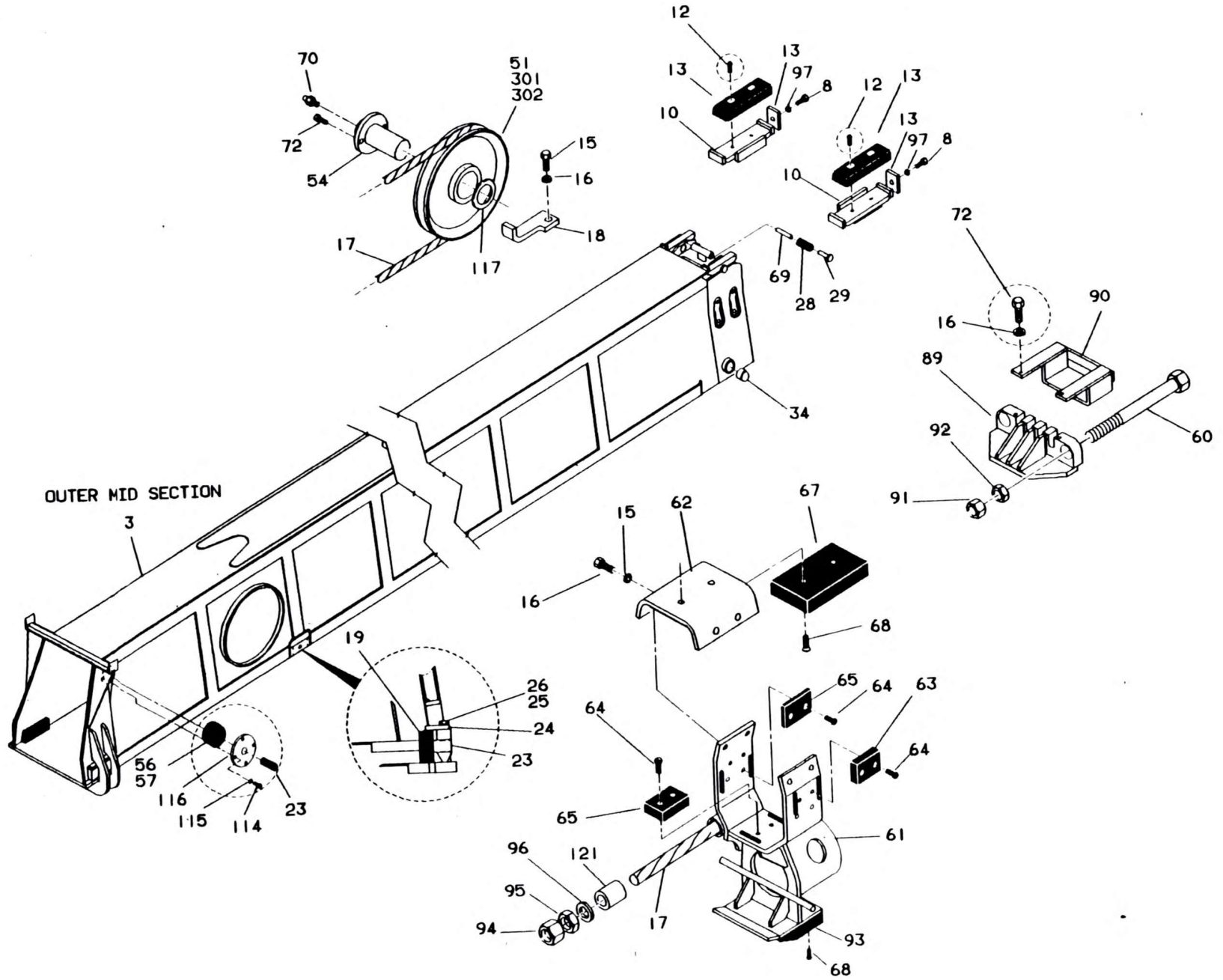


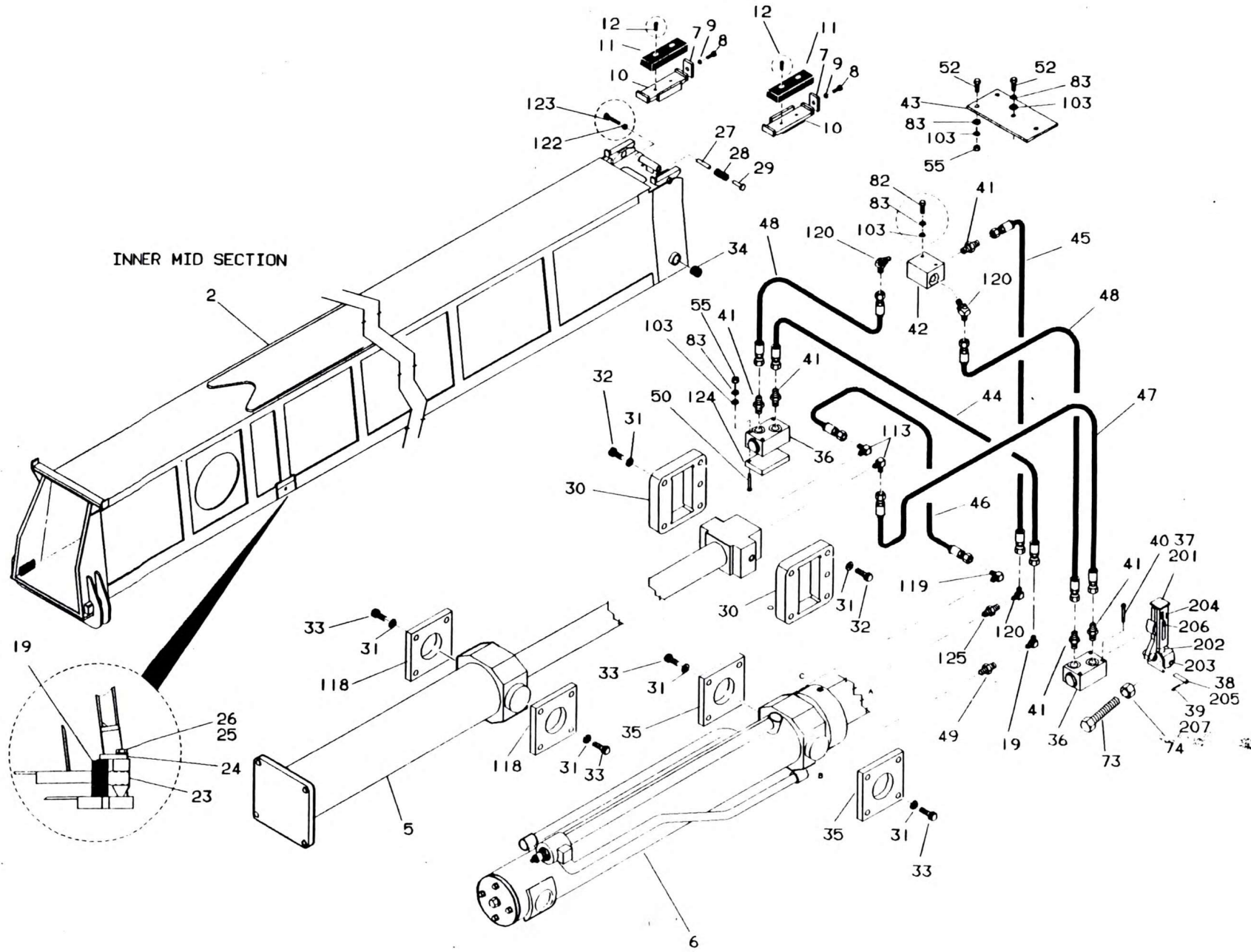
VIEW C-C

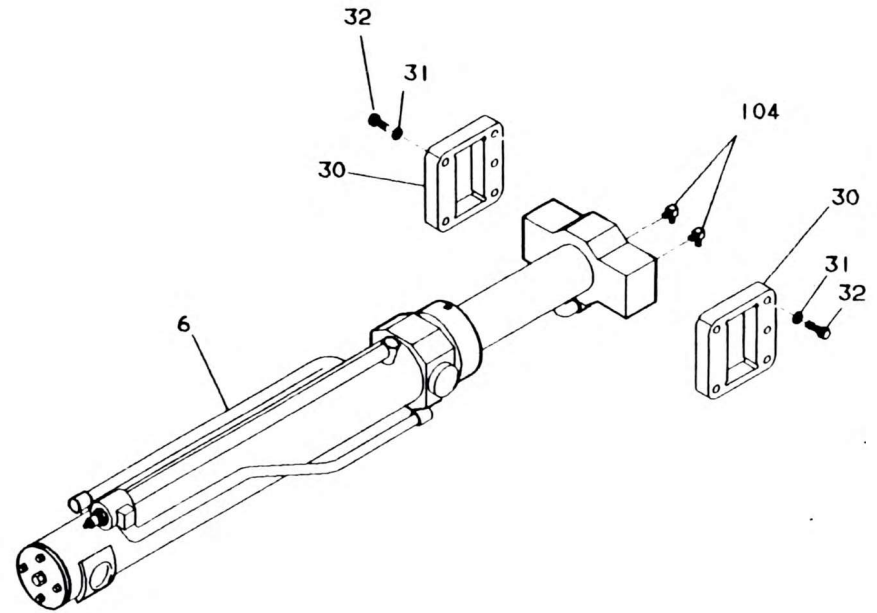
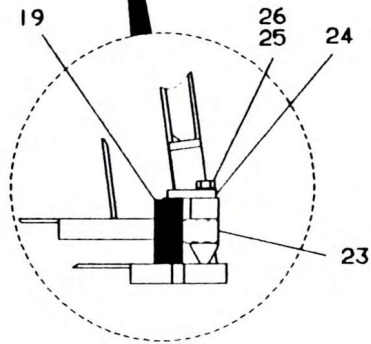
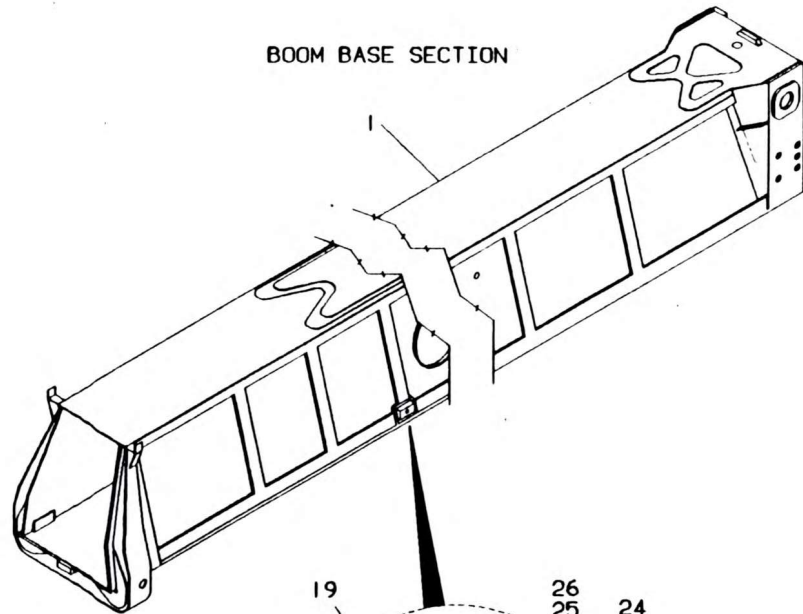


VIEW B-B









ITEMS NOT SHOWN  
NMR 105